

ACCESSORIES FOR SZE2 CABINETS

ACCESSORIES FOR MOUNTING ELECTRICAL EQUIPMENT

Electric meter box

It is used for installation of electricity meters in the SZE2 cabinet with 19" swing frame, 19" mounting profiles or mounting profiles II.

Material

Steel sheet powder painted in RAL 7035

Scope of delivery

Electric meter box with fixing accessories for mounting to the cabinet.



Installation method to the cabinet	External dimensions [mm]			Internal dimensions [mm]		Catalogue number
	height [mm]	width [mm]	depth [mm]	height [mm]	width [mm]	
On 19" mounting profiles or 19" swing frame (pages 38-39, 34-35)	444,5 (10U)	482.6	150	402	440	WZ-5716-38-01-011
			100	402	440	WZ-5716-A1-16-01-011
On mounting profiles II (page 57)	450	482.6	150	407	440	WZ-5716-38-02-011
			100	407	440	WZ-5716-A1-16-02-011
		682.6	150	407	640	WZ-5716-38-03-011
			100	407	640	WZ-5716-A1-16-03-011

Package: 1 pc

Voltage distribution panel

Universal 19" enclosure for modular devices.

Capacity of panel

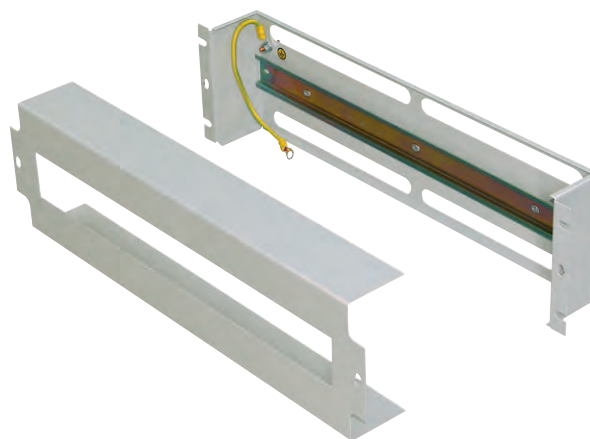
Maximum number of built-in S-type modules (width of module 17.5 mm): 22 pcs.

Material

Steel sheet powder painted in RAL 7035 or RAL 9005.

Scope of delivery

Mounting base, DIN rail, housing, fixing accessories for mounting to the cabinet.



Note:

On individual request, the panel can be fitted with electrical equipment.

Installation method to the cabinet	External dimensions [mm]			Internal dimensions [mm]		Catalogue number	
	height [mm]	width [mm]	depth [mm]	height [mm]	width [mm]	RAL 7035	RAL 9005
On 19" mounting profiles or 19" swing frame (pages 38-39, 34-35)	133 (3 U)	482.6	60	130	440	WZ-PS3U-00-00-011	WZ-PS3U-00-00-161

Package: 1 pc