

ACCESSORIES FOR CABINETS AND OPEN RACKS

BASE



Plinth

Plinth consists of corners and side panels.
 Each part shall be ordered separately.
 For cabinets: **Z-SERVER, SZB IT, DSR IT**.
 Possibility of connecting the plinths in rows or stacked.

Plinth side panels

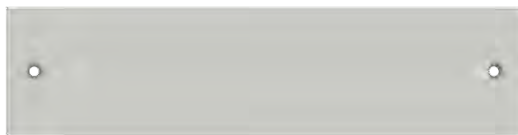
There are three types of plinth side panels available.
 Side panels can be removed even when the cabinet is loaded with equipment.

Material

Sheet steel powder painted in light grey (RAL 7035) or black (RAL 9005).

Scope of delivery

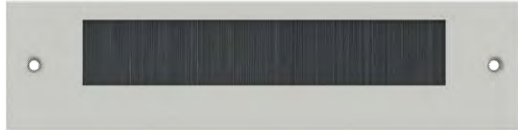
Panel with fixing elements.



Solid side panel



Perforated side panel



Side panel with brush opening

Product name	Length of side panel [mm]	Length of plinth's side [mm]	Catalogue number	
			RAL 7035	RAL 9005
Solid side panel	400	600	WZ-6935-46-05-011	WZ-6935-46-05-161
	600	800	WZ-6935-46-03-011	WZ-6935-46-03-161
	800	1000	WZ-6935-46-02-011	WZ-6935-46-02-161
	1000	1200	WZ-6935-46-01-011	WZ-6935-46-01-161
Perforated side panel	400	600	WZ-6935-92-05-011	WZ-6935-92-05-161
	600	800	WZ-6935-92-03-011	WZ-6935-92-03-161
	800	1000	WZ-6935-92-02-011	WZ-6935-92-02-161
	1000	1200	WZ-6935-92-01-011	WZ-6935-92-01-161
Side panel with brush opening	400	600	WZ-6935-94-05-011	WZ-6935-94-05-161
	600	800	WZ-6935-94-03-011	WZ-6935-94-03-161
	800	1000	WZ-6935-94-02-011	WZ-6935-94-02-161
	1000	1200	WZ-6935-94-01-011	WZ-6935-94-01-161

Package: 1 pc

Plinth corners

Corners are equipped with removable plates that ease the access to assembling and levelling elements.
 Corners can be equipped with levelling set or vibro-shock absorbers.

Material

Body: sheet steel powder painted in light grey (RAL 7035) or black (RAL 9005).
 Covers: black plastic.

Scope of delivery

Set of 4 corners include fixing accessories for SZB IT, DSR IT and Z-SERVER cabinets.



Corner with fixing elements for SZB IT and DSR IT cabinets



Corner with fixing elements for Z-SERVER cabinet

Product name	Height [mm]	Catalogue number	
		RAL 7035	RAL 9005
Set of 4 plinth corners	100	WZ-6935-74-00-011	WZ-6935-74-00-161

Package: 1 set

ACCESSORIES FOR CABINETS AND OPEN RACKS

BASE

Vibro-shock absorbers

Vibro-shock absorbers reduce the transmission of possible vibrations between the floor and the cabinet (e.g. in industrial buildings). Plinth with vibro-shock absorbers should be fixed into the room's floor.

Material

10 mm thick rubber.

Scope of delivery

Set of 4 vibro-shock absorbers.



Vibro-shock absorber



Plinth corner with vibro-shock absorber

Package	Catalogue number
1 set	WZ-M1Z-00-0048-000-4

Sets for plinth levelling

Plinth corners can be equipped with additional levelling bolts, that enable stable setting of the cabinet on uneven floor.

Adjustment range: 0–10 mm

Product name	Package	Catalogue number
Set of 4 plinth levelling bolts for SZB IT or DSR IT cabinet	1 set	WZ-6935-Z1-02-000
Set of 4 plinth levelling bolts for Z-SERVER cabinet	1 set	WZ-6935-Z1-01-000



Plinth levelling bolt for SZB IT or DSR IT cabinet



Plinth levelling bolt for Z-SERVER cabinet



Plinth corner equipped with levelling bolt for SZB IT or DSR IT cabinet
In order to fasten the levelling bolt in the corner and join the corner with the cabinet, 2 pcs. of M8 bolts with washers are used (delivered with the plinth corner).



Plinth corner equipped with levelling bolt for Z-SERVER cabinet
Top part of levelling bolt is used for join the corner with the cabinet.

Set of elements for connecting plinths

Plinths can be joined in row or stacked.

Joining in rows

In order to join two plinths, one connecting set is needed.

Stacking

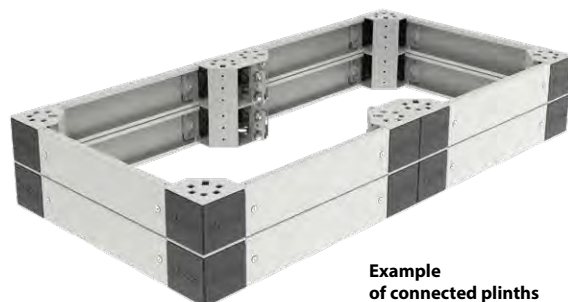
In order to stack two plinths, two connecting sets are needed.

Maximum allowed height: 4 plinths x 100 mm



Set of elements for connecting plinths

Product description	Package	Catalogue number
4 bolts M10x20 4 washers 10,5 4 flange nuts M10	1 set	WZ-6935-Z1-03-000



Example of connected plinths

ACCESSORIES FOR CABINETS AND OPEN RACKS

BASE



Levelling feet for cabinets and racks

Levelling feet

Levelling feet for cabinets and racks.
 Thread: M12x38
 Ways of adjustment:
 - with 19 mm open ended spanner,
 - with 5 mm wrench spanner (imbus).

Material

Adjustable screw – zinc-coated steel.
 Base - plastic.

Scope of delivery

Adjustable feet with lock nuts
 - set of 4 pcs.

Package	Catalogue number
1 set = 4 pcs	WZ-5571-42-00-000



Locking castor 150



Non-locking castor 150

Castors 150

For cabinets **SZB IT**, as well as for open racks **SRD** and **SRX**.
 One cabinet or open rack requires 2 locking
 and 2 non-locking castors.
 Maximum load capacity of 4 castors: 400 kg*

Scope of delivery

Set of 2 castors (locking or non-locking type) with screws
 and washers for fixing into the cabinet or rack.

Product name	Package	Catalogue number
Locking castor 150	1 set = 2 pcs	WZ-SB72-00-01-000-2
Non-locking castor 150	1 set = 2 pcs	WZ-SB72-00-02-000-2

* Applicable to castors only. Loading capacity of the cabinet (or open rack)
 is specified in the description.

ACCESSORIES FOR CABINETS AND OPEN RACKS

BASE

Castors 300

For cabinets: **SZB IT, DSR IT, SIZE2 PC.**

One cabinet requires 2 locking, 2 non-locking castors and 2 strengthening bars. One bar with locking castors is fixed at the cabinet's front, and the other bar with non-locking castors at the rear.

Maximum load capacity of 4 castors: 600 kg*

Surface finishing

Strengthening bar for castors powder painted in light grey (RAL 7035).

Scope of delivery

These are available in sets:

- 2 castors (locking or non-locking type) with screws and washers for fixing into the strengthening bar,
- 2 strengthening bars for castors with screws and washers for fixing into the bottom plate of the cabinet.



Locking castor 300 steering type



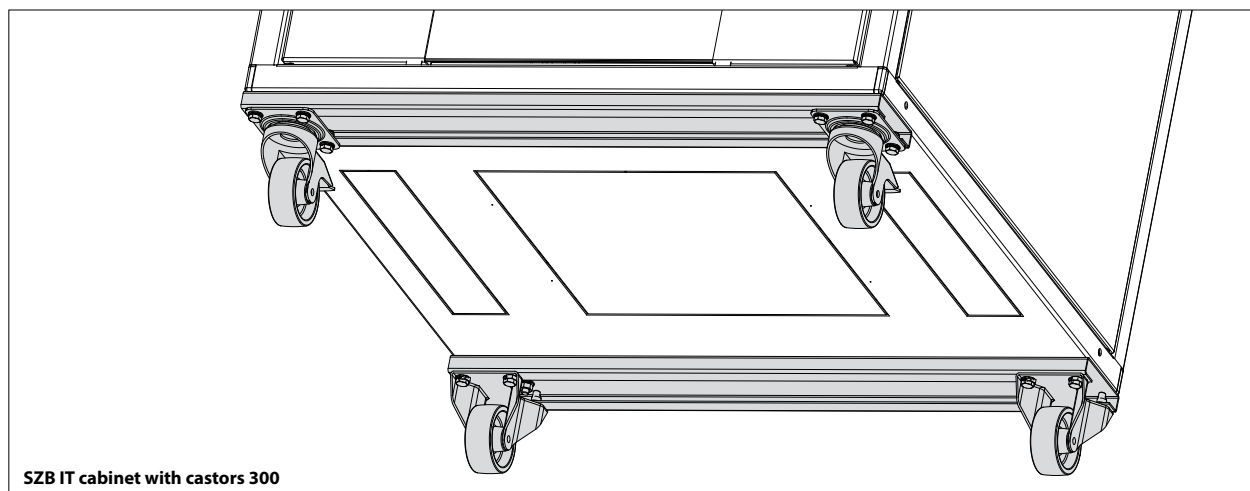
Non-locking castor 300 fixed type

Product name	Package	Catalogue number	
Locking castors 300 steering type	2 pcs	WZ-SB73-00-01-000-2	
Non-locking castors 300 fixed type	2 pcs	WZ-SB73-00-02-000-2	
Strengthening bars for cabinet's width	600 mm	2 pcs	WZ-SB74-00-01-011-2
	800 mm	2 pcs	WZ-SB74-00-02-011-2

* Applicable to castors only. Loading capacity of the cabinet is specified in the description.



Strengthening bar for castors 300



SZB IT cabinet with castors 300