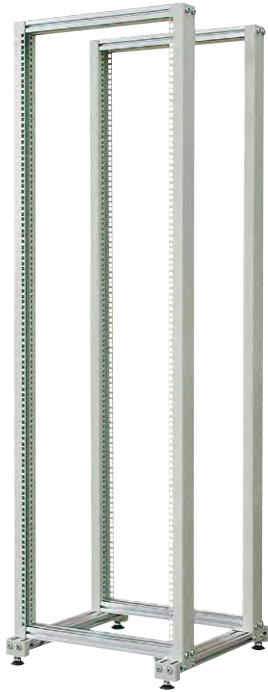


SRD 19" OPEN RACK



OPEN RACK WITH FULLY ADJUSTABLE 19" RACK FRAMES

- Modular design based on horizontal aluminium profiles and vertical steel posts.
- Open racks are set on levelling feet.
- Various supplementary accessories are available as for data telecom cabinets - castors, shelves, drawers, power strips etc.

REFERENCE CHART

HU [U = 44.45 mm]	H [mm]	Maximum load capacity [kg]	Catalogue number
24 U	1177	150	WZ-6170-01-05-011
36 U	1709	150	WZ-6170-01-06-011
42 U	1975	150	WZ-6170-01-07-011

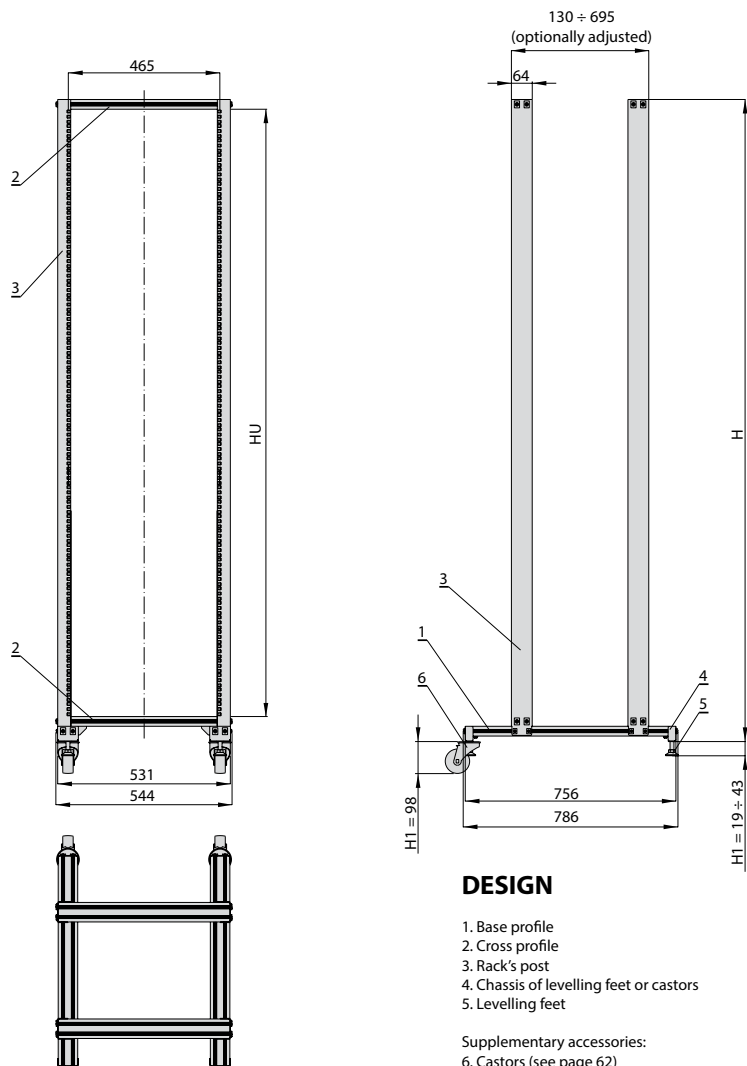
TECHNICAL DATA

Material

Sheet steel,
aluminium profile
60 x 30 mm

Surface finishing

Powder paint, light grey
(RAL 7035).
All other colour options
on request.



DESIGN

1. Base profile
2. Cross profile
3. Rack's post
4. Chassis of levelling feet or castors
5. Levelling feet

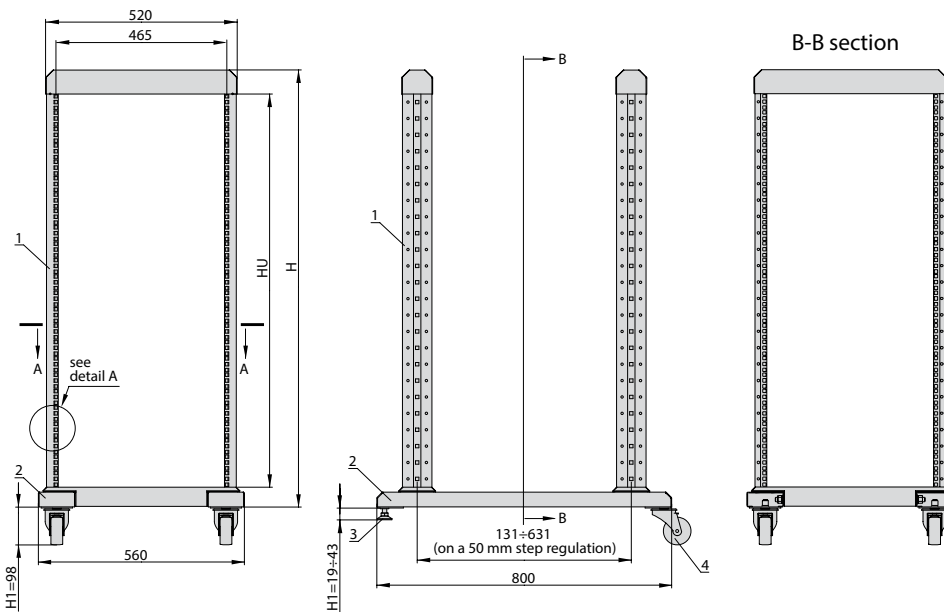
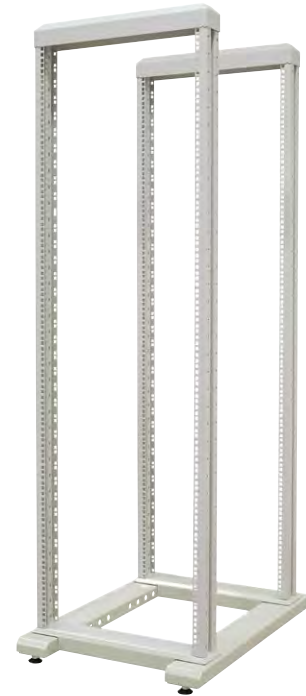
Supplementary accessories:
6. Castors (see page 62)

OPEN RACK WITH STEP ADJUSTABLE 19" RACK FRAMES

- Made of two 19" welded frames that are fastened to the doublepart chasis with screws.
- Positioning of the frames is based on a 50 mm pitch pattern.
- Standard rack is placed on levelling feet.
- Possibility for using some elements of supplementary equipment for data telecom cabinets - castors, shelves, drawers, power strips etc.

REFERENCE CHART

HU [U = 44.45 mm]	H [mm]	Maximum load capacity [kg]	Catalogue number
24 U	1185	250	WZ-6026-01-01-011
36 U	1719	250	WZ-6026-01-02-011
42 U	1985	250	WZ-6026-01-04-011

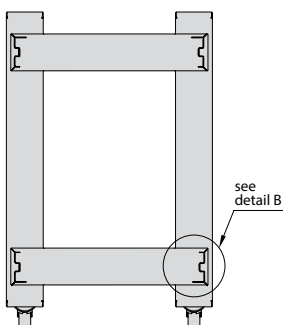


TECHNICAL DATA

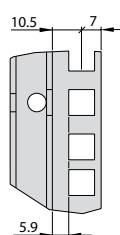
Material
Sheet steel

Surface finishing
Powder paint, light grey (RAL 7035).
All other colour options on request.

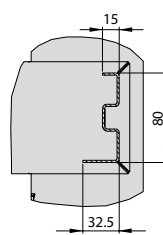
A-A section



Detail A



Detail B



DESIGN

1. 19" welded frame
2. Rack base
3. Levelling feet

Supplementary accessories:
4. Castors (see page 62)