

# SWK ALU – Wall mounted cabinets 19"

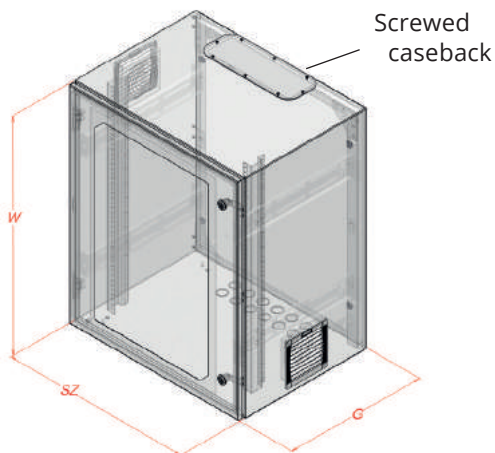
Wall mounted | IP 54 | Weather resistant



**Use:** hanging aluminum cabinets with increased tightness, perfect for dusty or humid places. They are recommended for installation in exposure to external weather conditions. External cabinets are equipped with a rubber gasket.

### Construction characteristics:

- made of PA11 aluminum
- rubber seal
- 2 filter inserts included
- Has a padlock holder for securing access to the inside of the housing
- toughened glass
- to ensure resistance to residual water we recommend the use of an additional roof- to be purchased as a separate accessory.



### Colour



RAL 7035

### Protection rating



### Versions



Full door



Glass door

### Delivery form



Assembled



60 kg

### Application



Outdoor (to be ordered)



**Optional:**  
SWK-MULTIGATE

Product code	Usable height U x 44,45 m	Dimensions (mm)			Usable depth (mm)	Load capacity	Door		Application
		width	height	depth			full door	glass door	outdoor
SWK19-6U-40-DP-Z	6U	600	335	400	340	60	✓		✓
SWK19-6U-40-DS-Z							✓	✓	
SWK19-6U-60-DP-Z				600	540		✓		✓
SWK19-6U-60-DS-Z					✓		✓		
SWK19-9U-40-DP-Z	9U	600	470	400	340	60	✓		✓
SWK19-9U-40-DS-Z							✓	✓	
SWK19-9U-60-DP-Z				600	540		✓		✓
SWK19-9U-60-DS-Z					✓		✓		
SWK19-12U-40-DP-Z	12U	600	605	400	340	60	✓		✓
SWK19-12U-40-DS-Z							✓	✓	
SWK19-12U-60-DP-Z				600	540		✓		✓
SWK19-12U-60-DS-Z					✓		✓		
SWK19-15U-40-DP-Z	15U	600	737	400	340	60	✓		✓
SWK19-15U-40-DS-Z							✓	✓	
SWK19-15U-60-DP-Z				600	540		✓		✓
SWK19-15U-60-DS-Z					✓		✓		
SWK19-18U-40-DP-Z	18U	600	870	400	340	60	✓		✓
SWK19-18U-40-DS-Z							✓	✓	
SWK19-18U-60-DP-Z				600	540		✓		✓
SWK19-18U-60-DS-Z					✓		✓		
SWK19-22U-60-DP-Z	22U	600	1048	600	540	80	✓		✓
SWK19-22U-60-DS-Z								✓	✓



Optionally: SWK-DEKD



FL21 opening without flange  
13166-FL21-011 (sheet steel)

### Optional accessories

### Filtered fans

page 157

