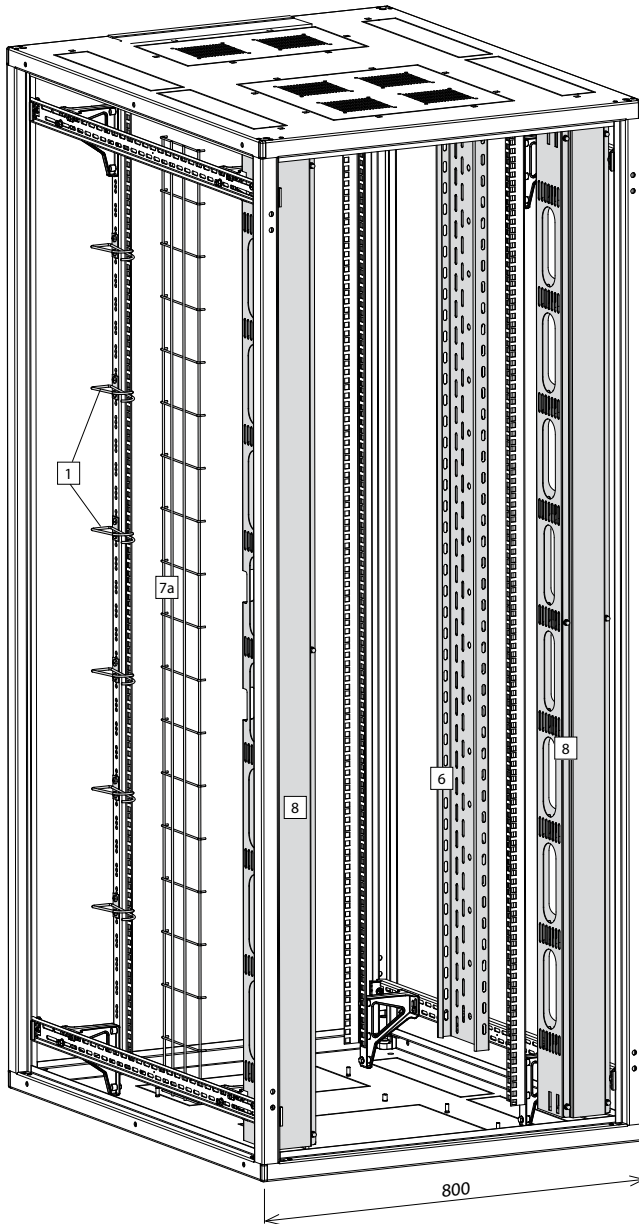


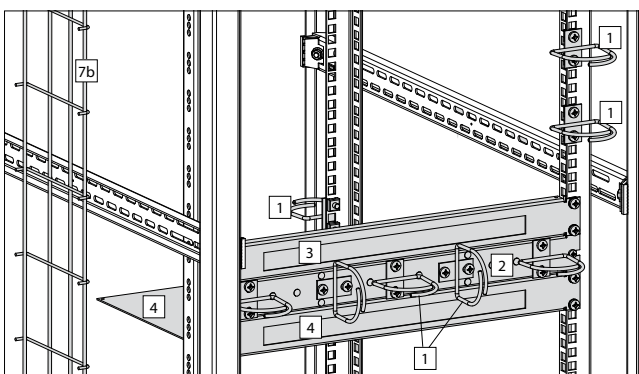
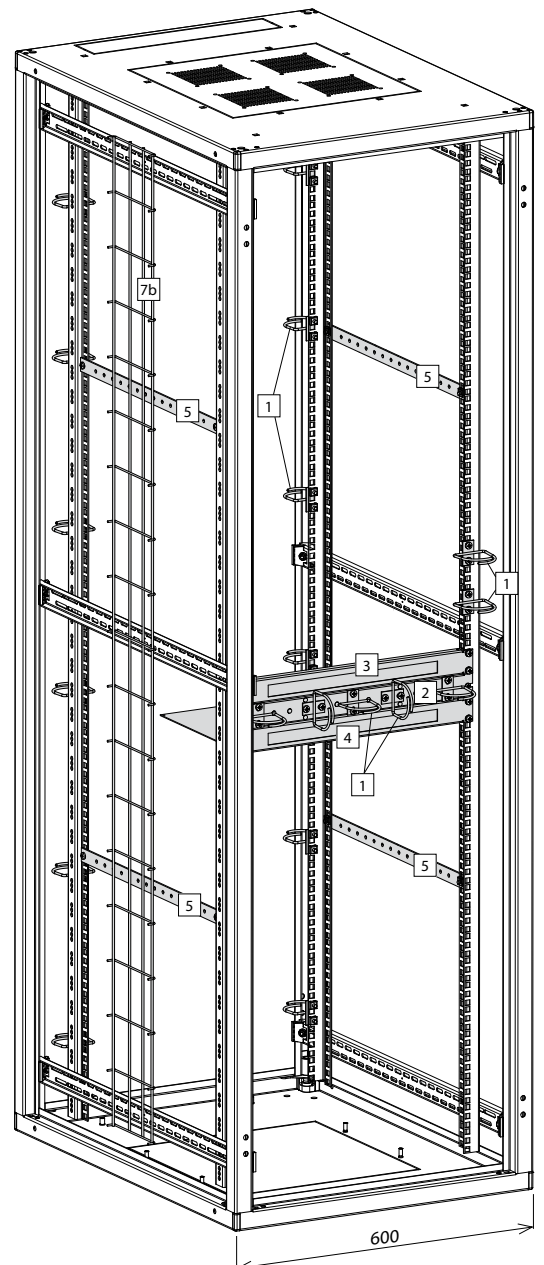
ACCESSORIES FOR CABINETS AND OPEN RACKS

CABLE MANAGEMENT



Cable management elements

1. Cable clamps
2. Cable management bar
3. Brush panel without support plate
4. Brush panel with support plate
5. Cable holder
6. Perforated cable tray, 30 mm deep
7. Wire cable tray, 15 mm deep
 - 7a - installation on the inside
 - 7b - installation on the outside
8. Vertical cable management



ACCESSORIES FOR CABINETS AND OPEN RACKS

CABLE MANAGEMENT

Cable clamps

Intended for fixing

- on cable management bars,
- on mounting profiles.

Material

Zn coated steel.

Scope of delivery

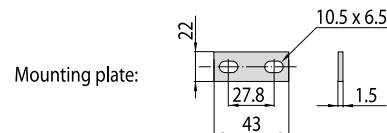
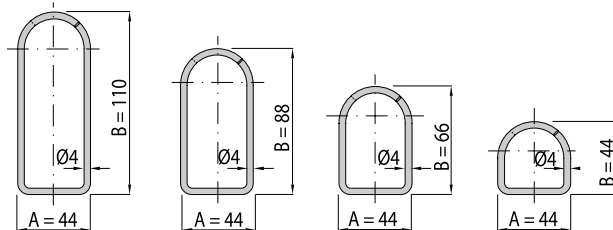
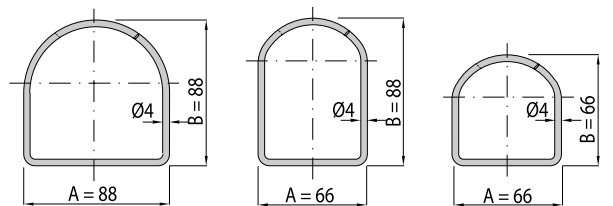
The cable clamps are sold in sets: 5 pcs of clamps and fixing accessories.

Note:

It is possible to order on demand cable clamps painted in black (RAL 9005).



Way of fastening cable clamps on cable management bar



| Type of cable clamp | Package | Dimensions A x B [mm] | Catalogue number |
|---------------------|---------|-----------------------|-------------------|
| | 5 pcs | 88 x 88 | WZ-SB52-00-01-000 |
| | | 66 x 88 | WZ-SB52-00-02-000 |
| | | 66 x 66 | WZ-SB52-00-03-000 |
| | | 44 x 110 | WZ-SB52-00-04-000 |
| | | 44 x 88 | WZ-SB52-00-05-000 |
| | | 44 x 66 | WZ-SB52-00-06-000 |
| | | 44 x 44 | WZ-SB52-00-07-000 |
| | 5 pcs | 88 x 88 | WZ-SB53-00-01-000 |
| | | 66 x 88 | WZ-SB53-00-02-000 |
| | | 66 x 66 | WZ-SB53-00-03-000 |
| | | 44 x 110 | WZ-SB53-00-04-000 |
| | | 44 x 88 | WZ-SB53-00-05-000 |
| | | 44 x 66 | WZ-SB53-00-06-000 |
| | | 44 x 44 | WZ-SB53-00-07-000 |
| | 5 pcs | 88 x 88 | WZ-SB54-00-01-000 |
| | | 66 x 88 | WZ-SB54-00-02-000 |
| | | 66 x 66 | WZ-SB54-00-03-000 |
| | | 44 x 110 | WZ-SB54-00-04-000 |
| | | 44 x 88 | WZ-SB54-00-05-000 |
| | | 44 x 66 | WZ-SB54-00-06-000 |
| | | 44 x 44 | WZ-SB54-00-07-000 |

Cable management bar

19" assembly, height: 1 U.

With slots for mounting cable clamps.

Material

Sheet steel powder painted in light grey (RAL 7035) or black (RAL 9005).

Scope of delivery

Cable management bar,
8 rubber covers for not used slots,
fixing accessories.

Note:

Cable clamps should be ordered separately.



Cable management bar

| Height [U = 44.45 mm] | Package | Colour | Catalogue number |
|-----------------------|---------|----------|-------------------|
| 1 U | 1 pc. | RAL 7035 | WZ-SB55-00-00-011 |
| | | RAL 9005 | WZ-SB55-00-00-161 |

ACCESSORIES FOR CABINETS AND OPEN RACKS

CABLE MANAGEMENT



T-SO-900-614



T-SO-900-615



T-SO-900-618

Cable management panels, finger type

Designed for horizontal cable organization inside the 19" cabinets.
Available in 1 U and 2 U heights.
Two slots for cable entry in the back side.
Removable front cover.

Material

Plastic in black or sheet steel powder painted in black.

Scope of delivery

Cable management panel without fixing accessories.

| External dimensions [mm] | | | Upper and lower slots | | Material | Catalogue number |
|--------------------------|----------|-------|-----------------------|------------|----------|------------------|
| Width | Height | Depth | Number | Width [mm] | | |
| 483 | 44 (1 U) | 87 | 12 | 15 | plastic | T-SO-900-614 |
| 483 | 88 (2 U) | 87 | 12 | 15 | plastic | T-SO-900-615 |
| 483 | 44 (1 U) | 174 | 12 + 12 | 15 | plastic | T-SO-900-618 |
| 483 | 44 (1 U) | 71 | 12 | 10 | metal | T-SO-900-613 |
| 483 | 44 (1 U) | 48 | 24 | 6 | metal | T-SO-900-616 |

Package: 1 pc.



T-SO-900-613



T-SO-900-616

ACCESSORIES FOR CABINETS AND OPEN RACKS

CABLE MANAGEMENT

Cable management panels with clamps

Designed for horizontal cable organization inside the 19" cabinets.

Height 1 U.

T-SO-900-008 panel includes four brush cable entries.

Material

Sheet steel panel powder painted in black (RAL 9005) or light grey (RAL 7035) - see photos, plastic cable clamps in black, plastic brush (in the T-SO-900-008 panel).

Scope of delivery

Cable management panel without fixing accessories.

| External dimensions [mm] | | | Number of clamps | Catalogue number |
|--------------------------|----------|-------|------------------|------------------|
| Width | Height | Depth | | |
| 483 | 44 (1 U) | 90 | 5 | T-SO-900-617 |
| 483 | 44 (1 U) | 75 | 5 | T-SO-900-008 |
| 483 | 44 (1 U) | 80 | 9 | WNK-811-000 |

Package: 1 pc.



T-SO-900-617



T-SO-900-008



WNK-811-000

Cable holder

Fixed horizontally to the front and rear mounting profiles, parallel to the cabinet's side. For installing cable bundle. With holes for M6 bolts.

Material

Zinc-coated sheet steel

Scope of delivery

Cable holder with fixing accessories.

| Length [mm] | Catalogue number |
|-------------|-------------------|
| 210 | WZ-SB00-29-05-000 |
| 310 | WZ-SB00-29-04-000 |
| 335 | WZ-SB00-29-03-000 |
| 410 | WZ-SB00-29-02-000 |
| 500 | WZ-SB00-29-01-000 |

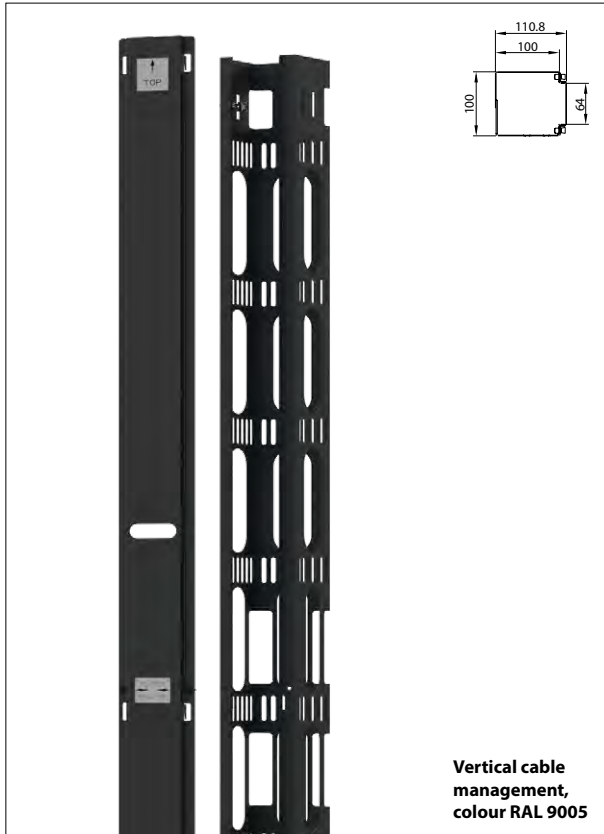
Package: 1 pc.



Cable holder

ACCESSORIES FOR CABINETS AND OPEN RACKS

CABLE MANAGEMENT



Vertical cable management

Designed for vertical organization of cables inside the **800 mm** wide **SZB IT** cabinets. Fixed to horizontal C-profiles at the cabinet's side walls. Equipped with a removable front cover.

Material

Sheet steel powder painted in black (RAL 9005).

Scope of delivery

Vertical cable management with fixing accessories for assembling into the cabinet.

| For cabinet height | Dimensions [mm] | | Colour | Catalogue number |
|--------------------|-----------------|-------|----------|-------------------|
| | Width | Depth | | |
| 42 U | 100 | 111 | RAL 7035 | WZ-6186-22-03-011 |
| | | | RAL 9005 | WZ-6186-22-03-161 |
| 45 U | 100 | 111 | RAL 7035 | WZ-6186-22-02-011 |
| | | | RAL 9005 | WZ-6186-22-02-161 |
| 47 U | 100 | 111 | RAL 7035 | WZ-6186-22-01-011 |
| | | | RAL 9005 | WZ-6186-22-01-161 |

Package: 1 pc.



Brush panel without support plate



Brush panel with support plate

Brush panels

Make easier to organise cables in data cabinets. 19" assembly, height 1 U.

With 341 x 21.5 mm brush opening.

Support plate can be used in order to keep patch cords which are in excess.

Material

Sheet steel powder painted in light grey (RAL 7035) or black (RAL 9005).

Scope of delivery

Brush panel with fixing accessories for assembling into the 19" mounting profiles.

| Panel type | Depth [mm] | Package | Colour | Catalogue number |
|-----------------------|------------|---------|----------|-------------------|
| Without support plate | 50 | 1 pc. | RAL 7035 | WZ-SB63-00-01-011 |
| | | | RAL 9005 | WZ-SB63-00-01-161 |
| With support plate | 300 | 1 pc. | RAL 7035 | WZ-SB63-00-02-011 |
| | | | RAL 9005 | WZ-SB63-00-02-161 |

ACCESSORIES FOR CABINETS AND OPEN RACKS

CABLE MANAGEMENT

Perforated cable tray

Designed for vertical cable management inside the cabinet. Fixed to horizontal C-profiles at the cabinet's side walls. Width 150 mm, depth 30 mm.

Note: In 600 mm wide **SZB IT** cabinets, 30 mm deep cable tray can be fitted to the C-profiles only from the inner side (it does not fit in the space between the C-profile and cabinet's side panel.).

Material

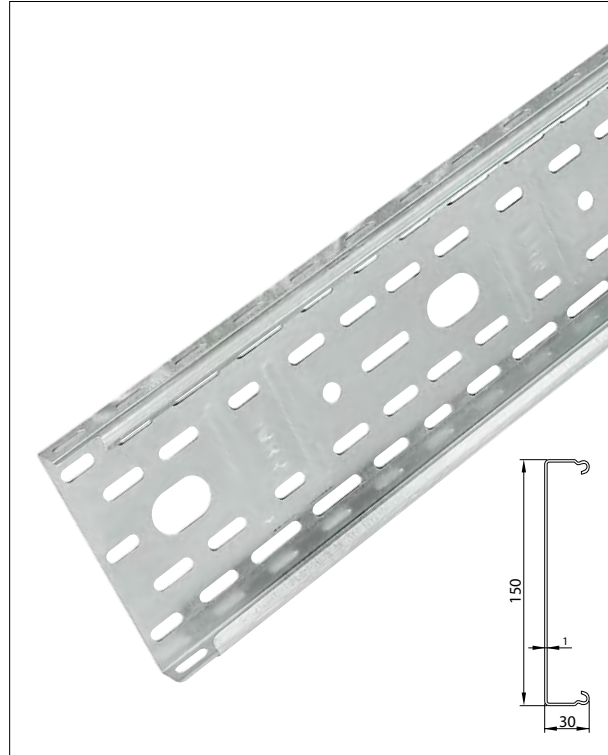
Sheet steel zinc coated.

Scope of delivery

Cable tray with fixing accessories.

| Cable tray length [mm] | For cabinet height [U = 44.45 mm] | Catalogue number |
|------------------------|-----------------------------------|-------------------|
| 1100 | 24 U | WZ-4755-20-08-000 |
| 1200 | 27-28 U | WZ-4755-20-07-000 |
| 1300 | 30 U | WZ-4755-20-06-000 |
| 1400 | 32-33 U | WZ-4755-20-05-000 |
| 1600 | 36 U | WZ-4755-20-04-000 |
| 1700 | 38-39 U | WZ-4755-20-03-000 |
| 1800 | 40-42 U | WZ-4755-20-02-000 |
| 2000 | 45-47 U | WZ-4755-20-01-000 |

Package: 1 pc.



Wire cable tray

Designed for vertical cable management inside the cabinet. Fixed to horizontal C-profiles at the cabinet's side walls. Width 150 mm, depth 15 mm. In 600 mm wide **SZB IT** cabinets, wire cable tray can fit in the space between the C-profile and cabinet's side panel.

Material

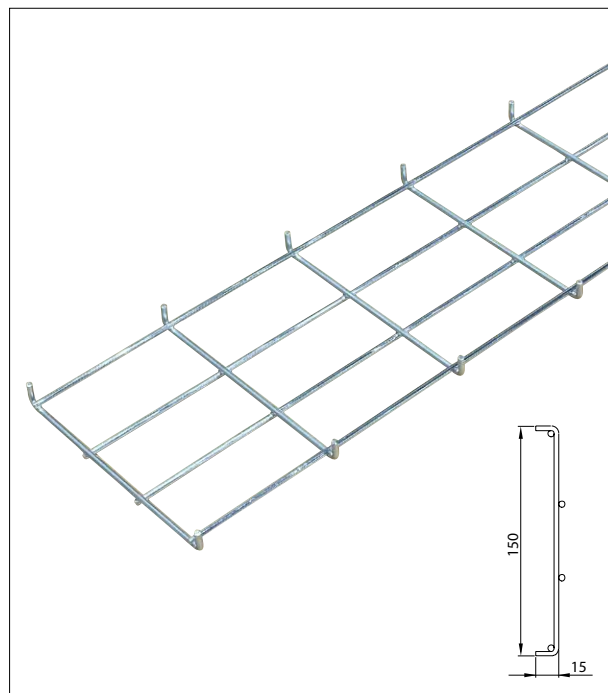
Galvanized steel.

Scope of delivery

Cable tray with fixing accessories.

| Cable tray length [mm] | For cabinet height [U = 44.45 mm] | Catalogue number |
|------------------------|-----------------------------------|-------------------|
| 1100 | 24 U | WZ-4755-25-08-000 |
| 1200 | 27-28 U | WZ-4755-25-07-000 |
| 1300 | 30 U | WZ-4755-25-06-000 |
| 1400 | 32-33 U | WZ-4755-25-05-000 |
| 1600 | 36 U | WZ-4755-25-04-000 |
| 1700 | 38-39 U | WZ-4755-25-03-000 |
| 1800 | 40-42 U | WZ-4755-25-02-000 |
| 2000 | 45-47 U | WZ-4755-25-01-000 |

Package: 1 pc.

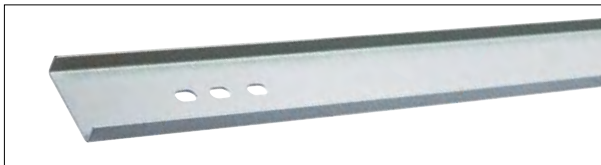


ACCESSORIES FOR CABINETS AND OPEN RACKS

CABLE MANAGEMENT



PVC cable ducts



C-profile for stiffening PVC cable ducts



PVC cable duct fastened to the C-profile for cable duct stiffening



PVC cable duct with a C-profile for cable duct stiffening, installed in the SZB cabinet

PVC CABLE DUCT

| Height [mm] | Width [mm] | Depth [mm] | Catalogue number |
|-------------|------------|------------|------------------|
| 2000 | 40 | 40 | M10-02-1428 |
| | | 60 | M10-02-1424 |
| | 60 | 80 | M10-02-1438 |
| | | 100 | M10-02-1442 |

Package: 1 pc.

PVC cable ducts

Designed for vertical organization of cables inside the **SZB IT** cabinets.
Fixed to horizontal C-profiles at the cabinet's side walls with help of the stiffening C-profile.
Cable duct and stiffening C-profile are ordered separately.

Material

Cable duct - PVC
Stiffening C-profile - sheet steel Al-Zn coated

Scope of delivery

Cable ducts - sold in lengths of 2 m.
Stiffening C-profile - sold in lengths given in the table below;
C-profile scope of delivery includes fixing accessories for cabinet installation.

C-PROFILE FOR STIFFENING PVC CABLE DUCTS

| Height [U = 44.45 mm] | For PVC ducts width [mm] | Catalogue number |
|-----------------------|--------------------------|-------------------|
| 15 U | 40 | WZ-SB00-31-22-000 |
| | 60 | WZ-SB00-31-10-000 |
| 18 U | 40 | WZ-SB00-31-21-000 |
| | 60 | WZ-SB00-31-09-000 |
| 21 U | 40 | WZ-SB00-31-36-000 |
| | 60 | WZ-SB00-31-30-000 |
| 24 U | 40 | WZ-SB00-31-20-000 |
| | 60 | WZ-SB00-31-08-000 |
| 27 U | 40 | WZ-SB00-31-35-000 |
| | 60 | WZ-SB00-31-29-000 |
| 28 U | 40 | WZ-SB00-31-19-000 |
| | 60 | WZ-SB00-31-07-000 |
| 30 U | 40 | WZ-SB00-31-34-000 |
| | 60 | WZ-SB00-31-28-000 |
| 32 U | 40 | WZ-SB00-31-18-000 |
| | 60 | WZ-SB00-31-06-000 |
| 33 U | 40 | WZ-SB00-31-33-000 |
| | 60 | WZ-SB00-31-27-000 |
| 36 U | 40 | WZ-SB00-31-17-000 |
| | 60 | WZ-SB00-31-05-000 |
| 38 U | 40 | WZ-SB00-31-16-000 |
| | 60 | WZ-SB00-31-04-000 |
| 39 U | 40 | WZ-SB00-31-32-000 |
| | 60 | WZ-SB00-31-26-000 |
| 40 U | 40 | WZ-SB00-31-15-000 |
| | 60 | WZ-SB00-31-03-000 |
| 42 U | 40 | WZ-SB00-31-14-000 |
| | 60 | WZ-SB00-31-02-000 |
| 45 U | 40 | WZ-SB00-31-13-000 |
| | 60 | WZ-SB00-31-01-000 |
| 47 U | 40 | WZ-SB00-31-31-000 |
| | 60 | WZ-SB00-31-25-000 |

Package: 1 pc.