

# Z-BOX 19" WALL-MOUNTED NETWORK CABINET



Cabinet with glass door



Cabinet with metal door

## SINGLE-SECTION CABINET WITH REMOVABLE SIDE PANELS

- Designed for indoor applications.
- Available in 1 depth (600 mm) and 5 usable heights (from 6 to 18 U).
- The cabinet is made of bolted framework (composed of 3 frames), top plate, bottom plate, side panels, rear panel and front door.
- Cabinet is equipped with two adjustable 19" mounting profiles.
- Top and bottom plates have cable openings covered with knock-out blanking plates, and 3 venting holes for each plate.
- Door, side panels and mounting profiles can be installed without tools.
- The entire weight of the devices installed inside the cabinet is transferred onto its framework.
- Side panels can be removed after opening the door.

## TECHNICAL DATA

### Protection degree

IP 20 in accordance with EN 60529

### Maximum load capacity

100 kg

### Material

sheet steel, safety glass, aluminium profiles

### Surface finishing

frame, metal door, panels, top and bottom plates, glass door side profiles – powder paint, light grey (RAL 7035). Mounting profiles – Al-Zn coated.

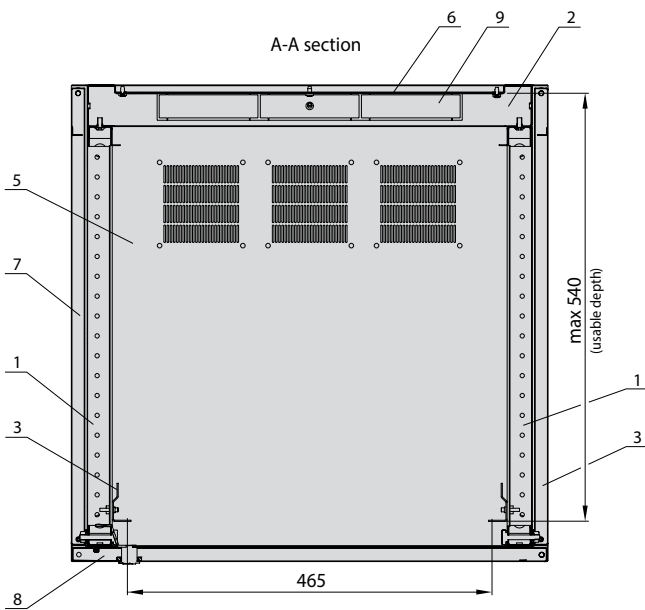
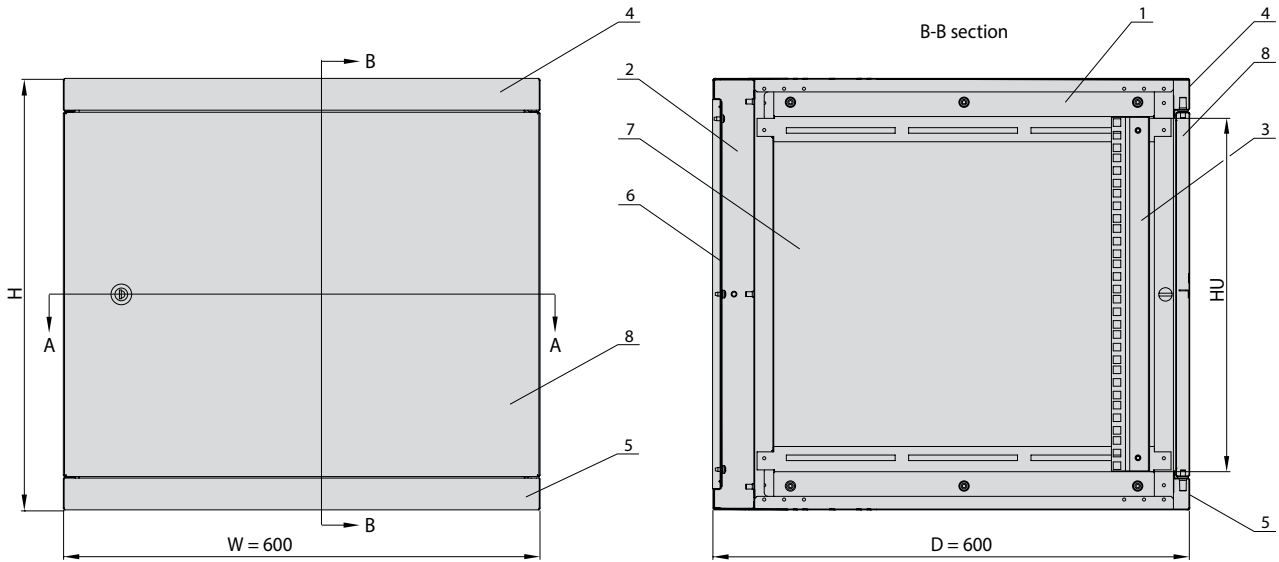
## SCOPE OF DELIVERY

Frame, bottom plate, top plate, door, 2 side panels, rear panel, 2 mounting profiles, template for drilling holes in the wall.

## REFERENCE CHART

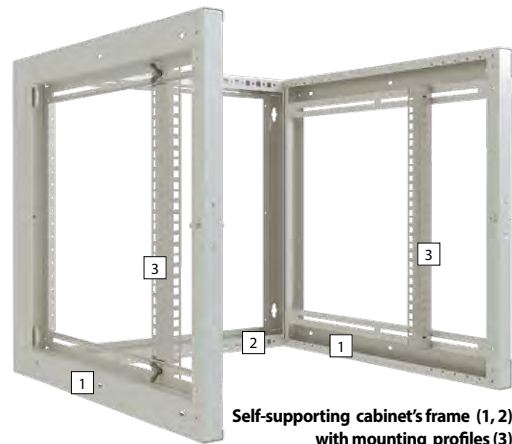
External dimensions			Usable height HU [U = 44.45 mm]	Catalogue number	
Width W [mm]	Depth D [mm]	Height H [mm]		Cabinet with glass door	Cabinet with metal door
600	600	365	6 U	WZ-7240-20-A1-011	WZ-7240-20-M1-011-BNP
		543	10 U	WZ-7240-20-A2-011	WZ-7240-20-M2-011-BNP
		632	12 U	WZ-7240-20-A3-011	WZ-7240-20-M3-011-BNP
		765	15 U	WZ-7240-20-A4-011	WZ-7240-20-M4-011-BNP
		899	18 U	WZ-7240-20-A5-011	WZ-7240-20-M5-011-BNP

WALL-MOUNTED NETWORK CABINET **Z-BOX 19"**



**DESIGN**

- 1. Side part of cabinet's frame
- 2. Rear part of cabinet's frame
- 3. Mounting profile
- 4. Top plate
- 5. Bottom plate
- 6. Rear panel
- 7. Side panel
- 8. Door
- 9. Knock-out blanking plate



Self-supporting cabinet's frame (1, 2) with mounting profiles (3)



See the video:  
[zpas.pl/qr/f11](https://zpas.pl/qr/f11)