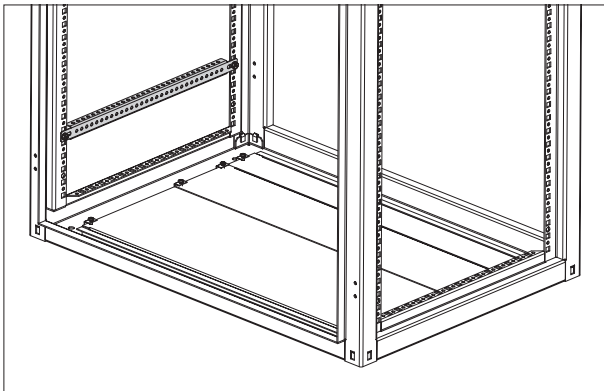


ACCESSORIES FOR SZE2 CABINETS

CABLE MANAGEMENT

**Transverse cable bar**

Used for cable bundle assemblies. Fixed in the horizontal position to the side of the cabinet (to slots in the frame profiles) or to the door frame.

Fixing method

using self forming screws or using screw with cage nut and washer - see page 43

Material

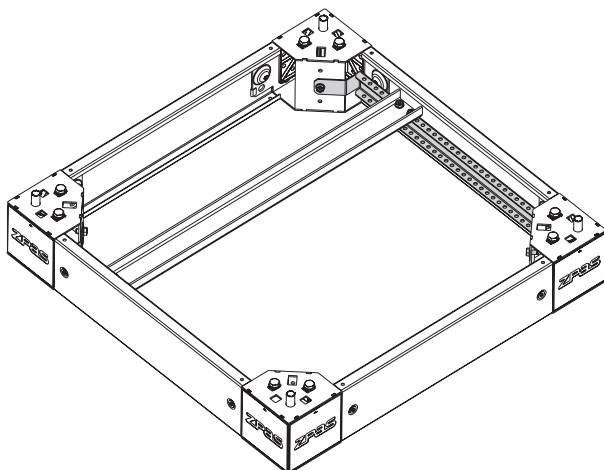
Al-Zn coated sheet steel

Scope of delivery

Transverse cable bar without fixing accessories (fixing accessories are listed on page 43).

For cabinet depth [mm]	Length of bar [mm]	Catalogue number
400	240	WZ-1951-65-04-000
500	340	WZ-1951-65-03-000
600	440	WZ-1951-65-02-000
800	640	WZ-1951-65-01-000

Package: 1 pc.

**Supports for cable bar**

For mounting the cable bar on the modular plinth.

Material

Al-Zn coated sheet steel

Scope of delivery

Two supports for cable bar with fixing accessories.

For cabinet depth [mm]	Catalogue number
350	WZ-6935-75-10-000
450	WZ-6935-75-08-000
550	WZ-6935-75-06-000
750	WZ-6935-75-04-000

Package: 1 set

ACCESSORIES FOR SZE2 CABINETS

CABLE MANAGEMENT

Cable bar, cable clamps

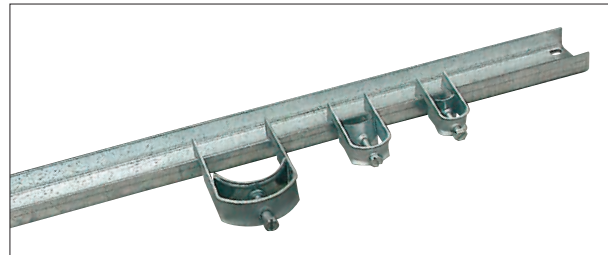
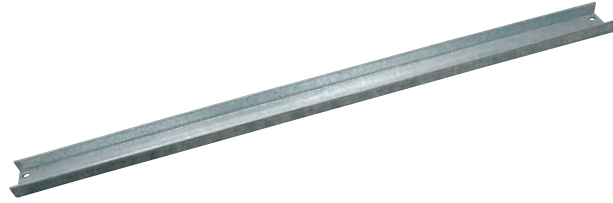
For fixing cables with cable clamps. Cable bar is to be mounted on horizontal profile of the cabinet frame or on the modular plinth.

Material

Cable bar - Al-Zn coated sheet steel
 Cable clamps - zinc coated sheet steel

Scope of delivery

Cable bar sold without fixing accessories (fixing accessories are listed on page 43).
 Cable clamps should be ordered separately.



Cable clamps

For cable diameter [mm]	Catalogue number
8-12	WZ-K12U-00-00-000/5
12-16	WZ-K16U-00-00-000/5
16-20	WZ-K20U-00-00-000/5
20-24	WZ-K24U-00-00-000/5
24-28	WZ-K28U-00-00-000/5
28-32	WZ-K32U-00-00-000/5
32-36	WZ-K36U-00-00-000/5
36-40	WZ-K40U-00-00-000/5
40-44	WZ-K44U-00-00-000/5
44-48	WZ-K48U-00-00-000/5
48-52	WZ-K52U-00-00-000/5
52-56	WZ-K56U-00-00-000/5

Package: 5 pcs

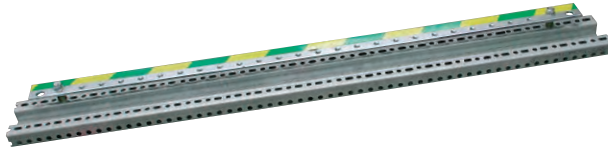
Cable bar

For cabinet width [mm]	Cable bar dimensions [mm] (length x width x height)	Catalogue number
600	558 x 49 x 20	WZ-1951-22-04-000
800	758 x 49 x 20	WZ-1951-22-03-000
1000	958 x 49 x 20	WZ-1951-22-02-000
1200	1158 x 49 x 20	WZ-1951-22-01-000

Package: 1 pc.

ACCESSORIES FOR SZE2 CABINETS

EARTHING AND SHIELDING



Earthing bar set

Consists of earthing bar and horizontal mounting bar UNI intended for fixing on the horizontal profiles of the cabinet's frame.

Earthing bar with threaded holes M8 for cables fixing.

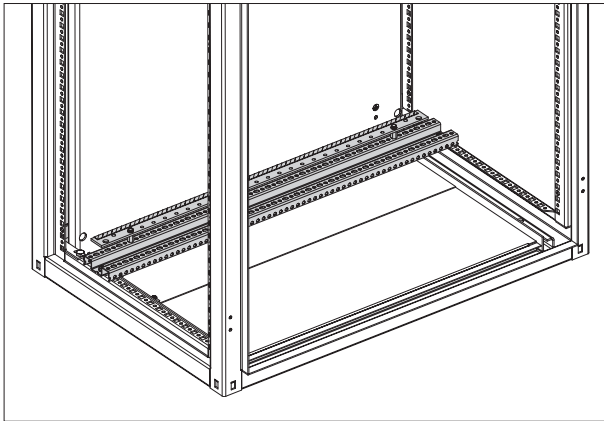
Material

Earthing bar: zinc-coated steel rail 30 x 4 mm

Mounting bar UNI: Al-Zn coated sheet steel

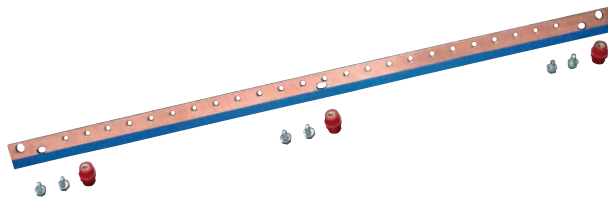
Scope of delivery

Earthing bar set with fixing accessories for assembling into the cabinet.



For cabinet width [mm]	Length of mounting bar [mm]	Length of earthing bar [mm]	Catalogue number of set
600	562.5	513.5	WZ-1951-24-04-000
800	762.5	713.5	WZ-1951-24-03-000
1000	962.5	913.5	WZ-1951-24-02-000
1200	1162.5	1113.5	WZ-1951-24-01-000

Package: 1 set



Shielding bar

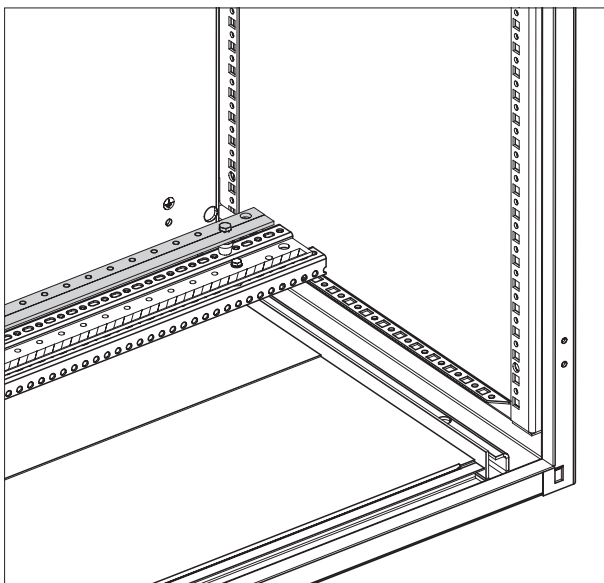
Fixed on the mounting bar UNI (which is the part of earthing bar set), on the mounting bar CLASSIC or directly on the cabinet frame.

Material

Copper bar 30 x 4 mm

Scope of delivery

Shielding bar with 3 insulators and fixing screws.



For cabinet width [mm]	Length of potential equalisation bar [mm]	Catalogue number	
		Shielding bar with blue tape	Shielding bar without tape*
600	513.5	WZ-1951-25-04-000	WZ-1951-25-04-000-BT
800	713.5	WZ-1951-25-03-000	WZ-1951-25-03-000-BT
1000	913.5	WZ-1951-25-02-000	WZ-1951-25-02-000-BT
1200	1113.5	WZ-1951-25-01-000	WZ-1951-25-01-000-BT

Package: 1 pc.

*) It can be used as a earthing bar.

ACCESSORIES FOR SZE2 CABINETS

EARTHING AND SHIELDING

Earthing cable set

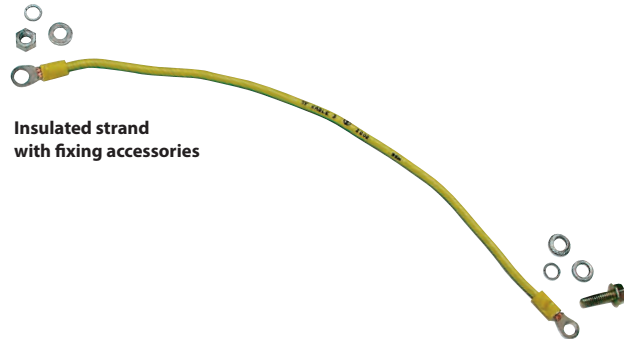
Copper wires for making compensation protective connections between all the removable components of the cabinet, its structure, and the earthing strip. Cables are terminated with ring terminals for M8 bolts.

Material

Copper

Scope of delivery

Set: 9 Insulated strand, full section 6 mm², fixing accessories



Package	Catalogue number
1 set	WZ-1951-33-00-000

Vertical earthing bar

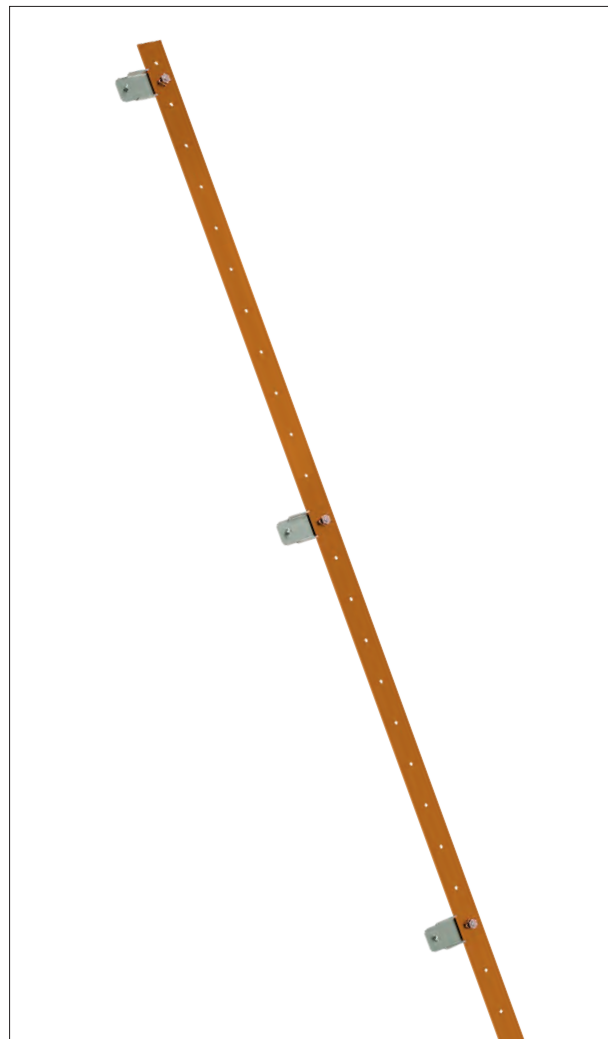
Mounted vertically to the 19" swing frame using brackets. It has threaded holes M6 for cables fixing. Length: 1650 mm

Material

Copper bar 30 x 3 mm

Scope of delivery

Earthing bar with brackets and fixing elements.



Package	Catalogue number
1 set	WZ-7580-11-00-000